



## V-FENCE BARRIER INSTALLATION GUIDE

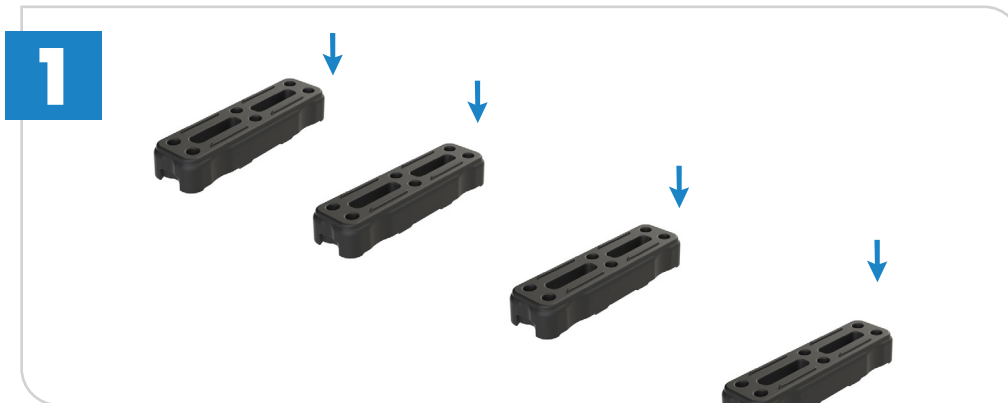
SafeSite's V-Fence barrier fencing panels offer an easy linking system and can be used to create versatile perimeter boundaries

People to Install:

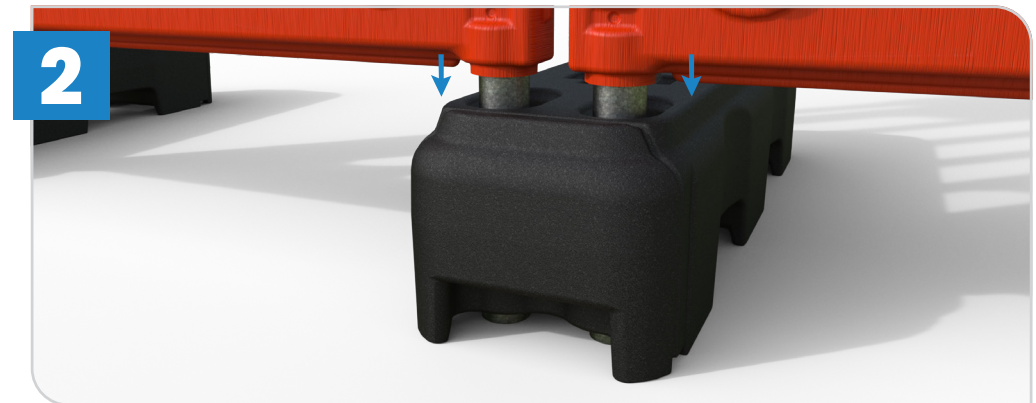


Equipment / Accessories Needed:

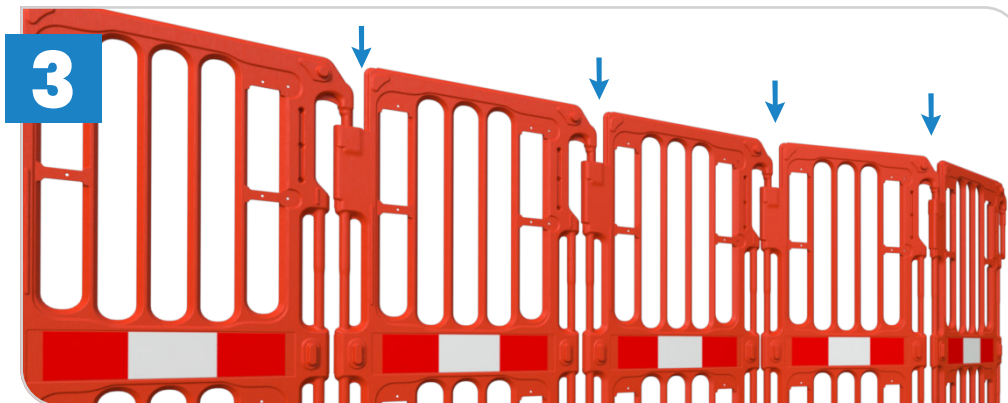
- Rubber Feet
- Optional Ballast



1 Position the rubber feet barriers along the desired perimeter line.



2 Next insert the V-Fence panel in to the holes in the rubber feet. The panels should span between two feet.



3 To continue the line insure the hook at the top of the panel is inserted in to the previously placed barrier.



4 Once the fence line completed you can then add ballast to achieve the required wind loading.

