



**safesite**<sup>®</sup>  
F A C I L I T I E S

Euro Barrier

*SPECIFICATION SHEET*

# Euro Barrier

Our durable water filled Euro Barriers are a simple to deploy solution for re-routing traffic flow on roads and at a variety of sites.

Taller and wider than EVO Barriers, our Euro Barriers feature purpose-designed top grooves for full compatibility with reflective post and plank safety systems.

Available for purchase or hire and quickly delivered to sites anywhere in the UK, these heavy ballasted, stabilised prime polyethylene Euro Road Barriers comprise a simple interlocking-pin design, allowing easy and gap-less pivoting around corners and turns.

## Euro Barrier Specification

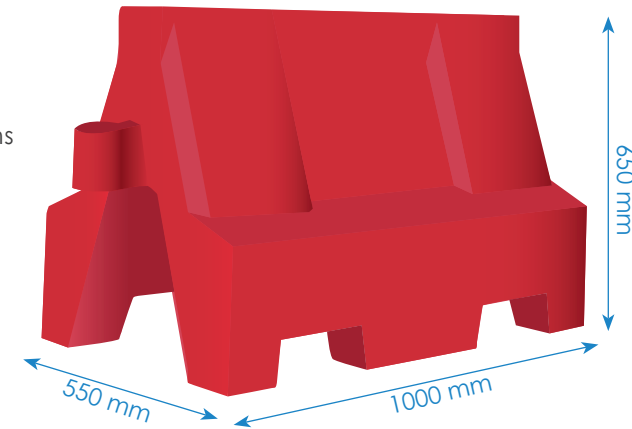
Length	Height	Width	Weight Empty	Weight Full
1000mm	650mm	550mm	10kg	50kg

## Key Features

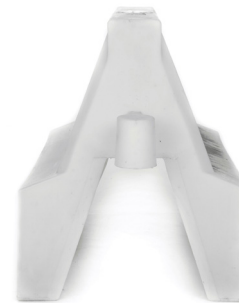
- Available in one metre length
- The ideal way to redirect and separate traffic flows
- Requires no heavy lifting machinery
- Compatible with reflective post and plank
- Supplied in various colours
- Interlocking pin allows you to create 'S' shapes
- Fully stackable for transport and storage
- Compatibility with post and plank safety systems
- Simple to deploy
- Allows for angles and curves
- Delivery anywhere in the UK
- Available for hire or purchase

### 1m Euro Barrier

**Weight Empty 10kg - Weight Full 50kg**



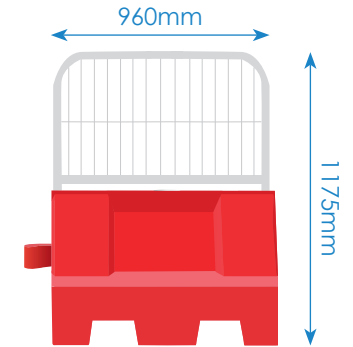
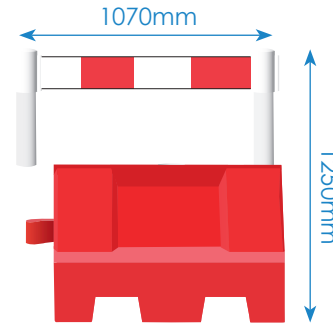
### Locks Into Place With Overlap Knuckle



# Euro Barrier Fence Extensions

For extra safety and security the Euro Barrier is compatible with both the Post and Rail and Mesh Fence extensions.

The mesh fence extension gives the Euro Barrier additional height, deterring passers by from potentially climbing over the barrier. The Post and Rail attachment is perfect for adding visibility to the barrier, with incorporated hi-vis reflective strip.



## 1m Euro Mesh Fence Specification

Length	Height	Depth
960mm	525mm	38mm

## 1m Euro Post & Rail Specification

Length	Height	Weight
1070mm	600mm	2.4kg



## Euro Barriers In Action

Here are some examples of 1 Euro Barriers setup on site.

These barriers are available in both one and two metre widths, they also stack neatly for convenient transportation. While red and white are the most popular colours for Euro Barriers, we can produce them in many other hues too.

There is a choice to fill deployed Euro barriers with sand instead of water, for additional weight and resistance against impacts or attempted manoeuvring.



Euro Barriers On Site



# Technical Details

**Weight Empty 10kg - Weight Full 50kg**

