

3.5m Pedestrian Barrier

Specification Sheet
PBS130350

16/01/24

safesite[®]
F A C I L I T I E S



3.5m Pedestrian Barrier

The sturdy, strong and high-quality 3.5m pedestrian barriers offered by SafeSite Facilities are an ideal solution for managing low level perimeter security around a site and controlling foot traffic during events.

Our 3.5m pedestrian barriers provide broader coverage with fewer units, ensuring speedy, convenient, and cost-effective installation and dismantling. Built with Smartweld technology, these robust barriers promise durability and performance at budget-friendly rates. Equipped with weighted or anti-trip feet for enhanced stability, these barriers stay secure in crowded events. The galvanised exterior prevents rust and damage, further boosting their overall durability.

Key Features

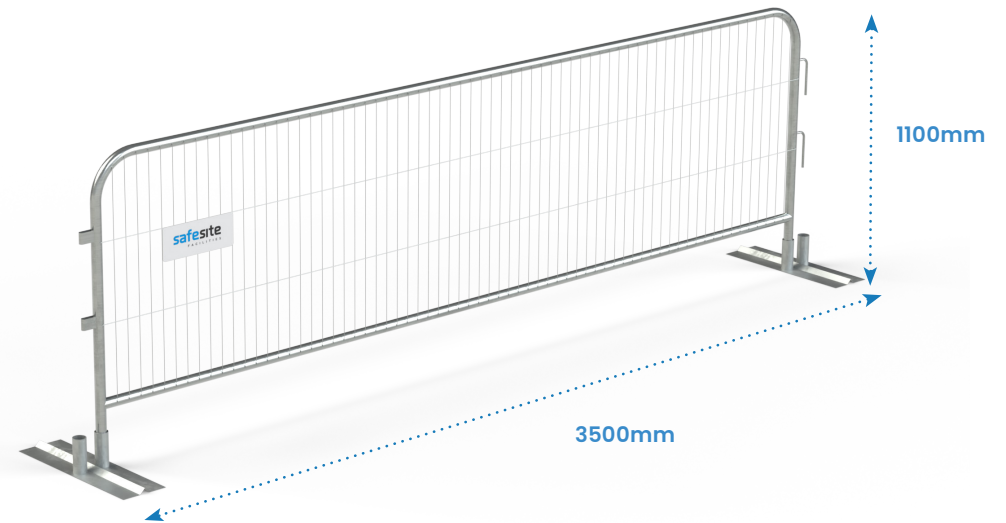
- › Ideal for directing foot traffic
- › Easy to transport and install
- › Weighted and anti-trip feet
- › Smartweld Technology
- › Other colours available



3.5m Pedestrian Barriers in situ



Rubber Feet Option



3.5m Pedestrian Barrier Specification

Description	Size (mm)	Weight (kg)
PBS130350 - 3.5m Pedestrian Barrier	H1100 x W3500 x D38.1	11